

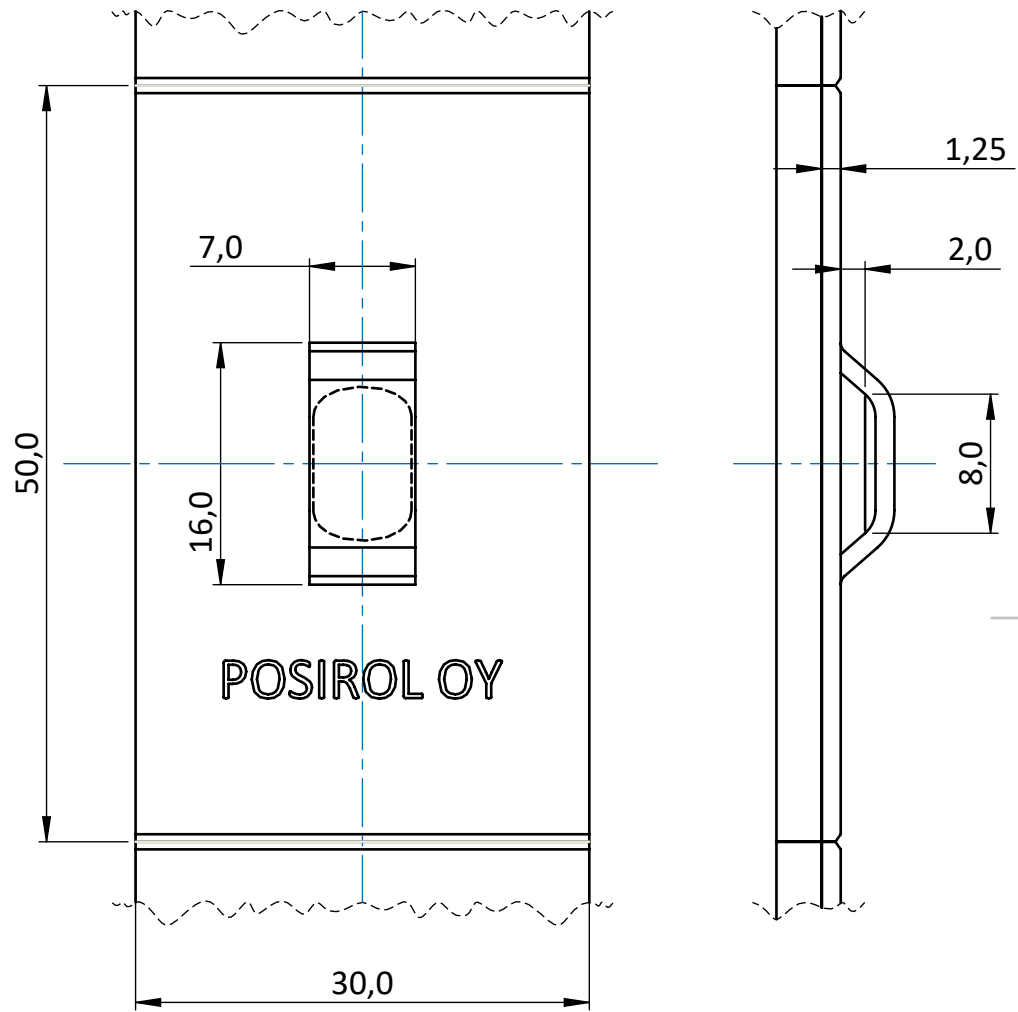
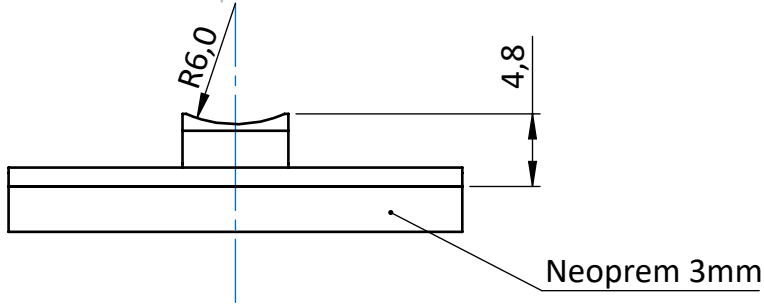
4 3 2 1

F  
E  
D  
C  
B

F  
E  
D  
C  
B

1000,0

1:5



- 1. Tolerances according to EN 14545:2008
- 2. Anticorrosion coating Z275

DO NOT SCALE DRAWING

REVISION



TITLE:

**CABLE RAIL**  
**KAAPELIKISKO**

UNLESS OTHERWISE SPECIFIED:  
DIMENSIONS ARE IN MILLIMETERS  
SURFACE FINISH:  
TOLERANCES: EN 14545 : 2008  
LINEAR:  
ANGULAR:

FINISH:  
Unpublished copyright **Posirol Oy**, All rights reserved  
proprietary: no use, disclosure or reproduction without written permission from **Posirol Oy**

NAME	SIGNATURE	DATE
DRAWN Daniel Vedel	<i>[Signature]</i>	24.10.2022

MATERIAL:  
DX51D+Z275  
Neoprem

DWG NO.

220048

WEIGHT:

SCALE:2:1

SHEET 1 OF 1

4 3 2 1

A